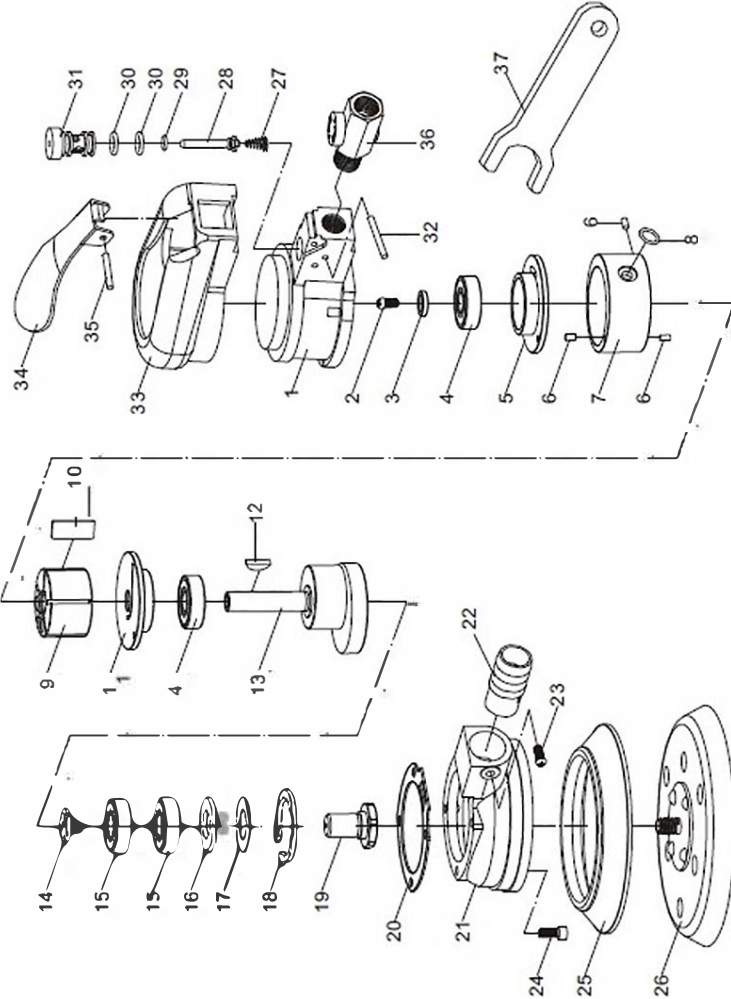


## EXPLODED DIAGRAM AND PARTS LIST



Part No.	Description	Quantity	Part No.	Description	Quantity
01	Main housing	1	20	Gasket	1
02	Screw	1	21	Head cover	1
03	Washer	1	22	Dust tube connector	1
04	Bearing	2	23	Screw	1
05	Rear plate	1	24	Hex screw	4
06	Fixing bolt	3	25	Dust cover	1
07	Cylinder	1	26	Sanding pad	1
08	O-ring	2	27	Spring	1
09	Rotor	1	28	Valvestem	1
10	Rotor blade	5	29	O-ring	1
11	Front plate	1	30	O-ring	1
12	Semi-round key	1	31	Valve bushing	1
13	Orbit axle	1	32	Fixing bolt	1
14	Fixing screw	1	33	Housing cover	1
15	Bearing	2	34	Trigger	1
16	Dust closure	1	35	Fixing bolt	1
17	Spacer	1	36	Air inlet regulator	1
18	E-clip	1	37	Wrench	1
19	Bearing stand	1			

## AT-980-6V **GAV** HAVALI ORBİTAL ZIMPARA

GAV HAVALI EL ALETLERİ VE TEKNİK SERVİS HİZMETLERİ  
SAN.TİC.LTD.ŞTİ TEL:0216 540 52 80